

Specification for CL-SL0674 Series Street Lights

Model No: CL-SL0674 series

Rated power: 24W/30W/36W/50W/80W/100W/150W/200W optional

Version: 2018 Edition II



lumitech
engineering Ltd.



PHILIPS

Xitanium
LED driver



SOSEN



CL-SL0674 series LED street light



Features for CL-SL0674 Series Street Lights

1. Adopt Philips Lumileds 3030 or Bridgelux 3030 as Light source, LM-80 listed, high Color Rendering Index, with excellent Lumen output, >130LM/W, Long-lasting stability, low light decline and extra long lifespan.
2. Adopt Philips/Meanwell/Sosen driver, complied with UL, TUV, CB, SAA, CCC, EMC, LVD, ENEC high efficiency, more safety, long lifespan, 5 years warranty.
3. Adopt High purity ADC No.12 aluminum alloy body, excellent heat dissipation, the arm can be adjusted 0-90 degree
4. Type II/III/IV/V optical optional. Luminaire efficiency >130lm/W, 100W LED equal to 400W HPS street light. 150LM/W optional by using Bridgelux or Lumileds 5050
5. Slim design, reduce wind resistance, endure maximum 12 level typhoon, IP66 water proof for outdoor using.
6. Can be equipped with dusk to dawn photocell sensor, on/off automatically.



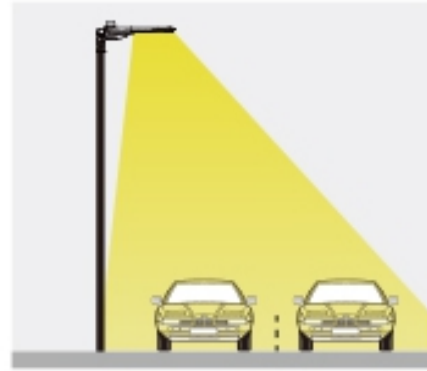
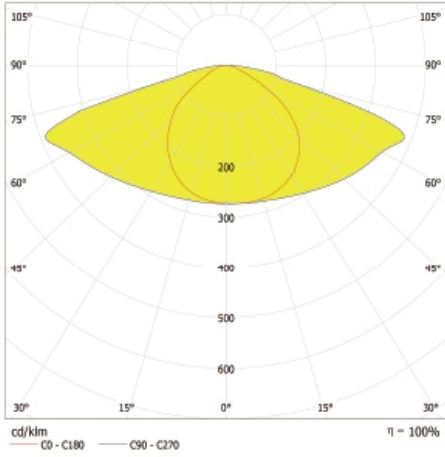
Engineer Power : 36W Driver : Standard, 110V-265V Housing : Aluminium Injection Body IP : IP66, Colour Temp. =4000 Kelvin Optics -1 : narrow beam lense Optics-2 : Tempered Glass 12 Additional Item ELE.10 Supplying &

Features:

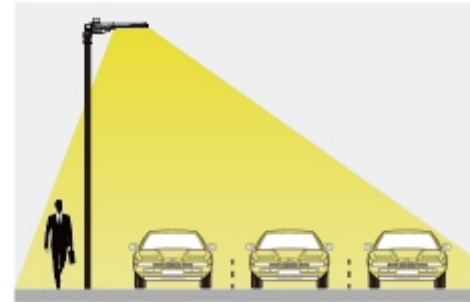
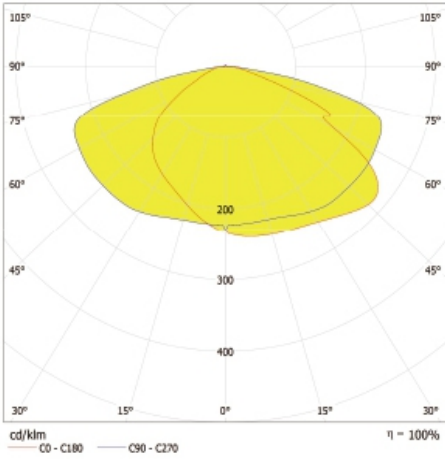
- Efficiency up to 93%
- Isolated dimming: 1-10V, PWM, Resistor, Timing
- IP67
- Protections: SCP/OTP/OVP/OPP
- Class P
- TYPE HL, suitable for hazardous locations
- Surge protection: L/N-PE: 10kV, L-N: 6kV
- Warranty: 5 years



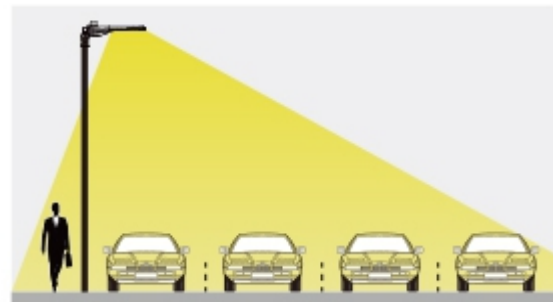
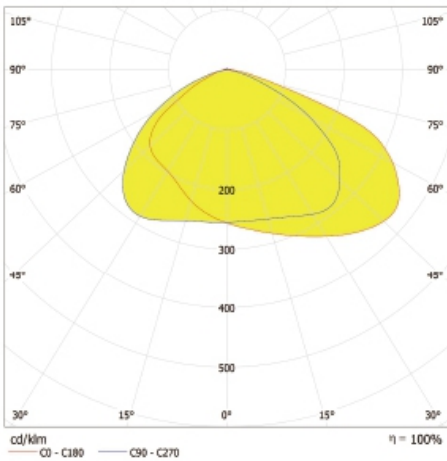
Optical Design and Light Distribution Curve



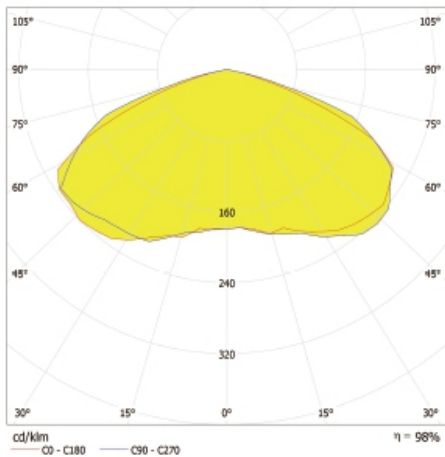
Type II



Type III



Type IV



Type V

Different optical Lens for different lighting purpose

Safety Electrical Standard for CL-SL0674 Street Lights

Environmental Requirements

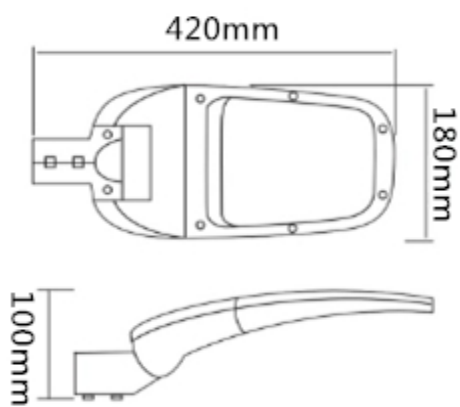
Parameter	Min.	Typ.	Max.	Remark
Operating Temperature(Tcase)	-40°C	25°C	+90°C	
Storage Temperature	-40°C	25°C	+85°C	
Operation Humidity	10%RH		90%RH	
Storage Humidity	5%RH		95%RH	
Altitude	-65m		4000m	

Safety and EMI/EMS Standards

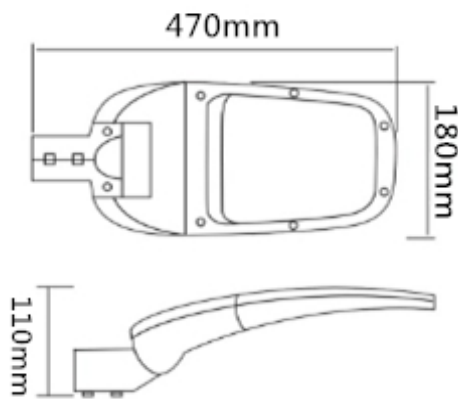
Certification	Standard	Status	Remark
UL/cUL	UL8750	✓	
ENEC	IEC 61347-2-13:2014/AMD1:2016 used in conjunction with IEC 61347-1:2015	✓	
RCM	AS/NZS61347.2.13	✓	
CCC	GB 19510.14-2009	✓	
CE	EN 61347-2-13:2014 EN61347-1:2008+A1:2011+A2:2013	✓	

EMI/EMS	Criterion	Remark
Conduction Emission	EN55015:2013+A1:2015	
Radiation Emission	EN55015:2013+A1:2015	
Harmonic Current Emissions	IEC/EN 61000-3-2	Class C
Surge	IEC/EN61000-4-5	Difference mode 6kV, Common mode 10kV,Criterion B
Ring Wave	IEC/EN 61000-4-12	Difference mode 6kV, Common mode 6kV,Criterion B

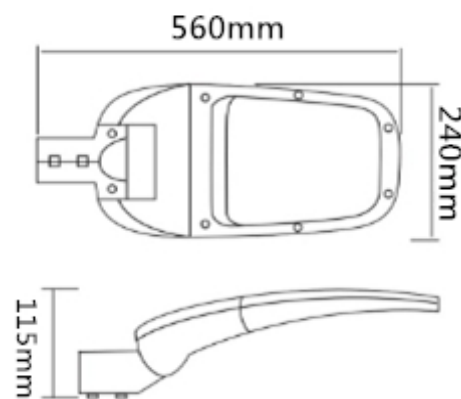
Product Size for CL-SL0674 Street Lights



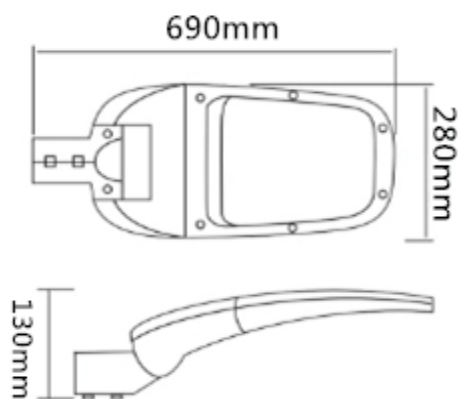
24W/30W/36W



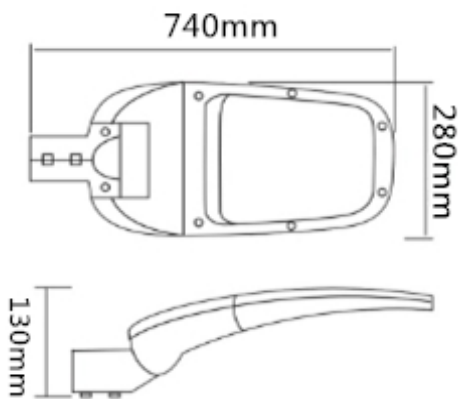
50W



80W/100W



150W



200W



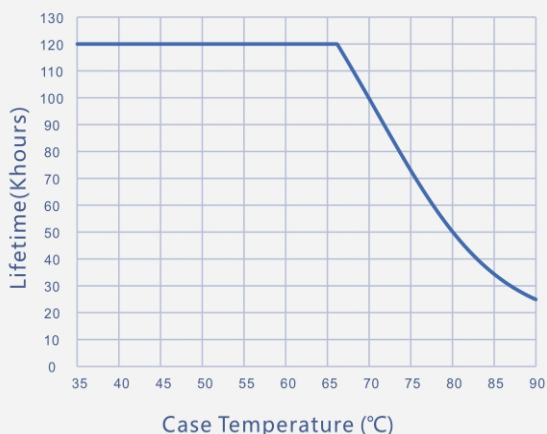
Level ruler

on the back of driver box,
to ensure accurate fixing for lamp.

Photocell sensor optional, UL listed photocell sensor.



Lifespan for CL-SL0674 Street Lights



Case temperature VS lifespan

Lamp body temperature at 70 degree, light lifespan=100K hours

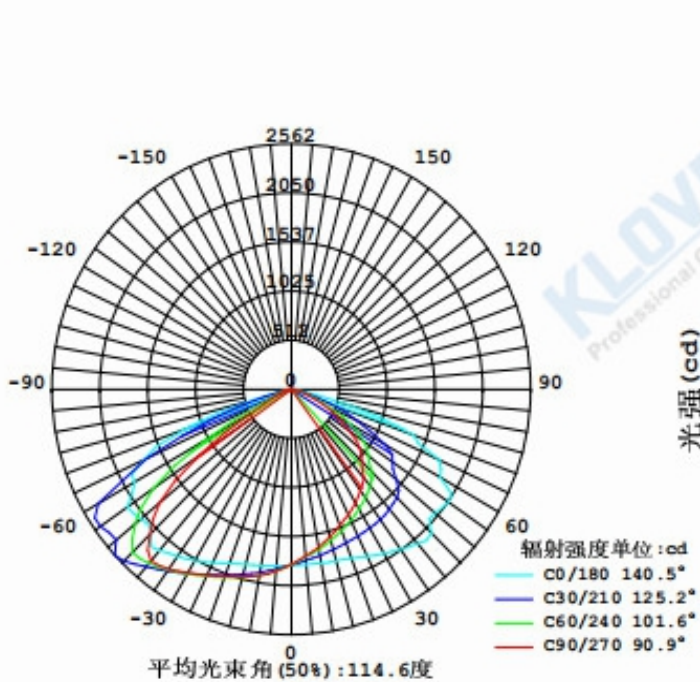
Lamp body temperature at 75 degree, light lifespan=70K hours

Luminaire efficacy for CL-SL0674 Street Lights

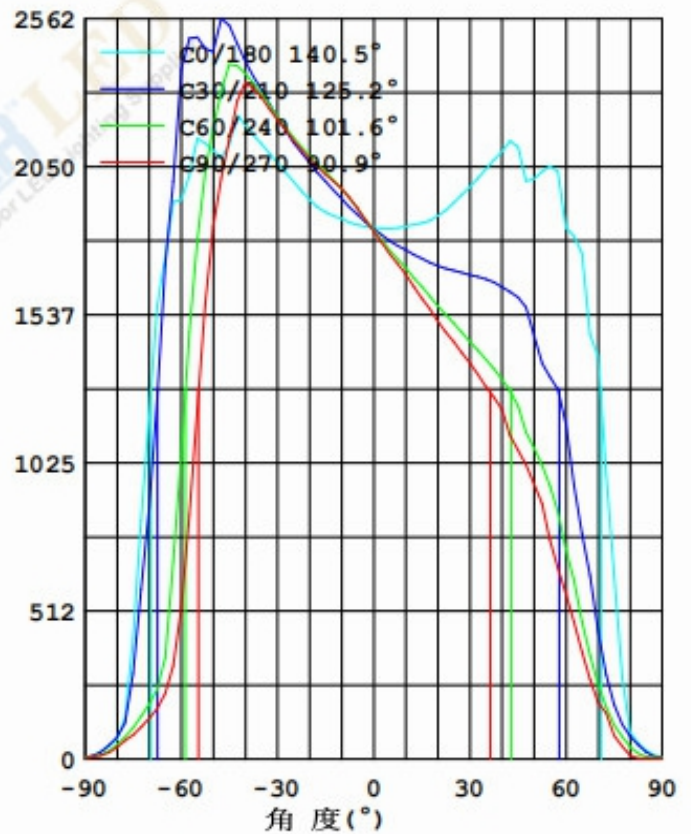
Typical luminaire efficacy is >130lm/w. 150LM/W optional by using Bridgelux 5050 or Lumileds 5050
100W LED street light equal to 400W HPS lights, more energy saving and extra long lifespan.

光源数据		峰值光强(cd)	2562	最大距高比(C0/180)	1.80
型号	3030	灯具效率(%)	100.0	最大距高比(C90/270)	1.72
标称功率(W)	52	总光通量(lm)	6803.2	电压(V)	220.3
额定电源电压(V)	220	光效率(lm/W)	133.3	电流(A)	0.239
额定光通量(lm)	6803.3	上射光通比(%)	0.0	功率(W)	51.04
灯具内光源数(只)	1	下射光通比(%)	100.0	功率因数	0.966
实测电源电压(V)	220.4	有效光通量(lm)	6658.9	能效指数(EET)	0.104

配光曲线



光强分布曲线



URBAN STREETS AND
RESIDENTIALS



BRIDGES



CYCLES
WAYS
PEDALS



STATIONS OF
TRAIN &
SUBWAY



PARKS OF
PARKING



LARGE AREAS SQUARE AREAS



SQUARE AREAS
PEDALS



ROADS
HIGHWAYS

Series for SL0674 Street Lights

24W/30W/36W/50W/80W/100W/150W/200W Optional

Rated power	24W	36W	50W	80W	100W	150W	200W
Model Number	CL-SL0960-24W	CL-SL0960-36W	CL-SL0960-50W	CL-SL0960-80W	CL-SL0960-100W	CL-SL0960-150W	CL-SL0960-200W
Product size(mm)	420*180*100	420*180*100	470*180*110	560*240*115	560*240*115	690*280*130	740*280*130
Beam Angle	90*120*, 80*150 degree(TYPE iv) optional						
LED Driver	Meanwell,Philips, Sosen, Driver optional						
LED Chips	Bridgelux 3030						
LED Quantity	24PCS	40PCS	36 PCS	48PCS	48PCS	90PCS	108PCS
Electric Features	AC85-308V, 50/60Hz, PF>0.95, THD<10%, Surge protection: 10KV						
Light Features	2700-6500k optional, Ra>75, UGR<19, >150LM/W						
IP Rating	IP65						
Working Temp.	-40°C to 60°C						
Material	Die-casting Aluminum alloy						
Lifespan	>50,000 hours						
Warranty	3 Years						

Lumitech Engineering Ltd.

Tel: +880 2-410 40321

Email: info@lumitechbd.com

Website 1: <http://www.lumitechbd.com>

Add: House:1/A, Road: 1/B, Nikunja-2, (3rd Floor) Khilkhet, Dhaka-1229, Bangladesh